

# **EODH**

***The Protection Experts***



## **HOPLITE**

High Mobility Tactical Vehicle 4x4



- The HOPLITE 4X4 is built on a unique heavy duty blast frame that has been extensively prepared for the rigors of military service
- On top of this rugged frame sits a fully protected cabin that is optimized for maximum internal space and mission flexibility
- The vehicle has been designed under NATO stanag and EU Regulations and its capable to work in extreme ambient conditions
- The standard cabin features 5 doors and a flat roof. 2, 3 and 4 door variants are available in flat or high roof configurations (Custom designs are also catered for)
- The standard variant is configured to seat 8 crew



- The engine bay forms part of the frame structure and is independent from the cabin
- The cabin is independent of the blast protection frame
- The frame can be fitted with various configurations of cabin
- The blast protection plate forms the base of the frame onto which the cabin is fitted
- The vehicle auxiliaries are easily accessible using the cabin tilt feature, further enhancing serviceability

## MODULAR PLATFORM



**HOPLITE**



- The blast frame and cabin floor act as a blast attenuating double skin, energy absorbing mechanism and provides exceptional safety characteristics for the occupants of the vehicle
- Suspended mine blast seats are fitted as standard
- Increased occupant survivability results from the combination of blast frame, cabin design and installed certified seating systems.
- This concept maximizes internal vehicle space without sacrificing vehicle silhouette and height constraints.
- This concept is atypical to standard vehicles designs



HMTV-10 STANDARD



HMTV-10 DOUBLE CABIN

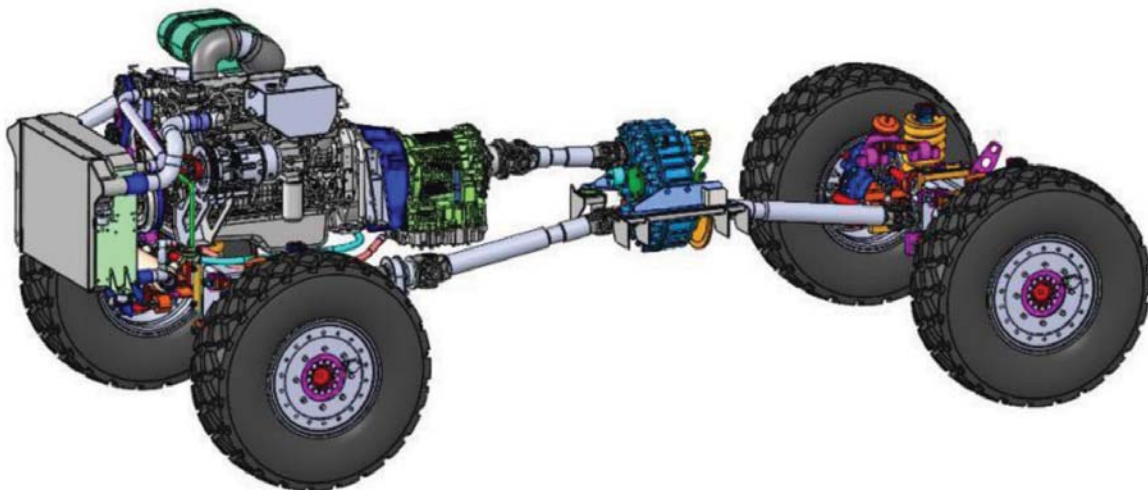


HMTV-10 AMBULANCE



HMTV-10 SINGLE CABIN

The HOPLITE 4X4 family offers several layout possibilities based on variations to the basic cabin design while maintaining a common frame.



The Engine, transmission & cooling pack (complete power pack assembly) are pre-assembled and tested as a unit. This configuration is easily installed as a single unit and can rapidly be removed or swapped out, enhancing workshop repair and maintenance.

## SPECIFICATIONS

### PERFORMANCE

Speed up to	120kmph
Range over	700km
Turning Radius	16.5m
Gradeability	60%
Side Slope	35%
Ground clearance	490 mm
Fording	1m

### DIMENSION AND WEIGHT

Length	6120mm
Width	2370mm
Height	2640mm
Wheelbase	3600mm
GVW	12000kg

### ENGINE & TRANSMISSION

Engine	5.7L Turbo Diesel
Power	300hp / 221kW
Torque	1100Nm @1200- 1800rpm
Gearbox	6 Speed Automatic

### DRIVE TRAIN

Transfer case	2 speed high-low range with park brake fitted
Steering	Hydraulic power steering
Electric System	24V-360Amp Black out lighting
Brake System	Hydraulic disc + Anti lock braking system (ABS)
Axles	Independent front and rear with 100% locking differentials
Suspension	Coil spring suspension with hydraulic shock absorbers & stabilizer bar



# HOPLITE

#### Head Office:

EODH SA, 31 Giannitson str. Balkan Centre  
Filippos Building, 54627, Thessaloniki  
Tel. +30 2310500126 Fax. +30 2310500127

#### Production Plant:

EODH SA, Lakkoma Chalkidikis, 63080,  
Tel. & Fax. +30 2399051114

[www.eodh-protection.com](http://www.eodh-protection.com) | email: [eodh@otenet.gr](mailto:eodh@otenet.gr)